

SPOTLITE™

product sheet



Suitable Controllers



Powerful and affordable spotlight

SpotLite™

AX7

The younger brother of the SpotMax™ is the SpotLite™, a highly powerful, lightweight and cost-effective RGBW version of the brightest wireless spotlight on the market. Benefits include:

- RGBW CREE LEDs
- Dynamic Power-boost
- TruColor Calibration™
- IP65 Waterproof
- Waterproof Charging
- Long-life SAMSUNG Battery
- High-end Khatod Lenses
- Very high luminous power
- CRMX Wireless DMX + W-DMX



1,675 Lumen	up to 20 Hours of Operation	50,000 Hours LED Life	13° Beam Angle
6,250 Lux at 2m	IP65 Water Resistant	300m Range	RGBW CREE LEDs
W-DMX Controllable	4 Khatod Lenses	60W LED Power	Flood Diffuser Option



SPOTLITE™

product sheet



TruColor™ Calibration

In basic terms, the TruColor™ Technology is a system of adjusting and enabling the LEDs to produce precise and consistent colors. To adjust to differing environments or when the LEDs get warm, the TruColor™ technology compensates for this and no difference will be seen in the color being shone. The TruColor™ Calibration includes a **dynamic power-boost feature**, which increases power output (brightness) while maintaining the color point. This means that the SpotLite™ can simultaneously achieve unparalleled intensity and exact color matching, which is extremely rare for spotlights in this price range.



Beam Versatility

The SpotLite™ contains a holder on its face for placing diffusor lenses. This means that the SpotLite™ can produce any of three effects; a **perfect 13° spot**, a **32° wide angle spot**, and a **linear wallwash** effect (17° x 46°), making the SpotLite™ the perfect, all-inclusive spotlight for event illumination.



Outdoor Use and Mounting

The SpotLite™ can also be used outdoors due to its **IP65 certified housing**, even when charging. Due to the Powercon True1 Neutrik connectors used, the SpotLite™ is **completely waterproof**.

By attaching the **Super Bolt** to its ergonomic handle, users can then attach the SpotLite™ to truss structures etc. (with a Manfrotto Super Clamp).



Established Global Brands

The SpotLite™ is able to achieve such natural colors and immense brightness due to years of research into TruColor™ Technology, but also due to using the world's best technological components. Included in this are long-life **SAMSUNG batteries**, high luminous **Cree LEDs**, precise **13° lenses** from optical specialist, Khatod, and **Powercon True1 waterproof connectors** from Neutrik.



Safety and Transportation

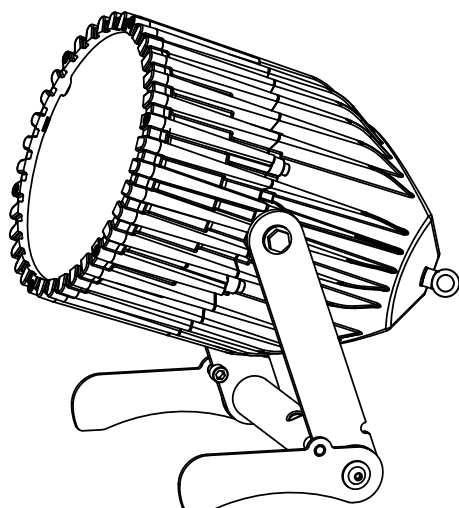
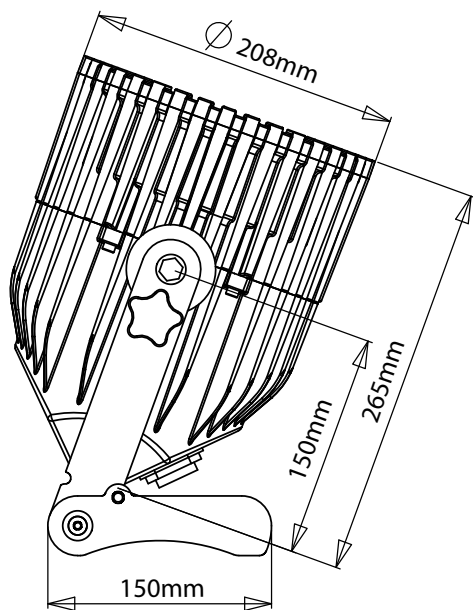
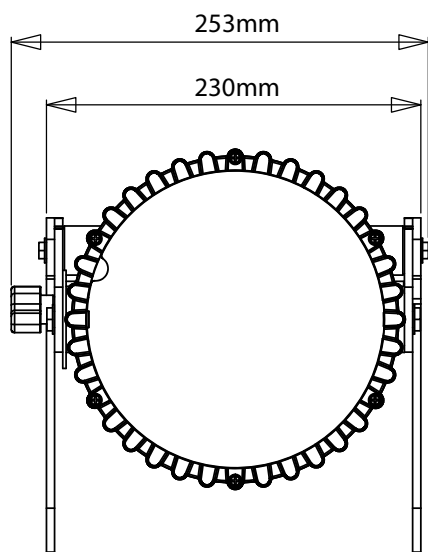
The SpotLite™ also comes with safety hooks on each side. Users can attach safety leashes as required in the industry when affixing fixtures to truss etc. The SpotLite™ is also great for using as an emergency light with its AC failure setting. Additionally, the SpotLite™ has a **charging case available**, which can hold 4 or 8 fixtures (two sizes available).



SPOTLITE™

product sheet

SpotLite™



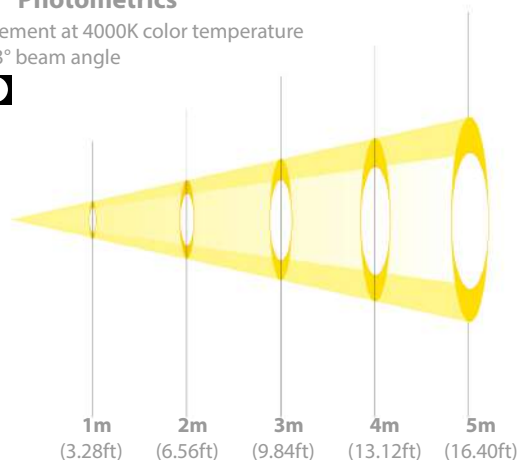
Technical Specification

The SpotLite™ is the best all-round wireless spotlight on the market.

Illuminants:	4 x 15W RGBW CREE LEDs
Total LED Power:	60W
Luminous Flux:	1,675 lm (White) 678 lm (Green)
<i>typical values</i>	640 lm (Red) 223 lm (Blue)
Illuminance:	6,250 lx (White) 3,730 lx (Blue)
<i>typical values at 2m</i>	2,350 lx (Green) 1,990 lx (Red)
Strobe:	0-25Hz
Beam Angle:	13° (achieved through Khatod lenses)
Battery:	Built-in Samsung battery
Battery Lifetime:	70% capacity (after 300 charging cycles)
Operation:	up to 20hrs (seamless runtime)
LED Lifetime:	50,000 hours
Charging Time:	5-20 hours (depending on ambient temp)
Working Voltage:	Input 110-240V, 50/60Hz
Wireless Module:	868MHz receiver (US: 902-928MHz) 2.4GHz wireless module
Range:	300m (330yds)
Wired DMX:	No
Astera Wireless DMX:	Yes (with ART3 Transmitter)
CRMX Wireless DMX:	Yes (also compatible with W-DMX)
Power Connectors:	2 (Neutrik Powercon True1 In & Out)
Housing:	Cast aluminium, Tempered glass
IP Rating:	IP65
Relative Humidity:	0-100% (non-condensing)
Operating Temperature:	0°-40°C (32°-104°F)
Weight:	6.10kg (13.4lbs)
Dimensions:	L279mm x H296mm x W253mm L10.9" x H11.6" x W9.9"
Environment:	Indoor / Outdoor
Features:	Temperature compensation, Dynamic power-boost, TruColor™ Calibration
Included Accessories:	Power Cord, 32° Flood Diffusor Sheet
Also Available:	Charging Case (holds 4), 17°x46° Wallwash Diffusor, Super Bolt

SpotLite™ Photometrics

Lux measurement at 4000K color temperature
Standard 13° beam angle



	1m	2m	3m	4m	5m
Light Spread	0.228m	0.456m	0.684m	0.911m	1.14m
Coverage Area	0.04m ²	0.16m ²	0.36m ²	0.65m ²	1.02m ²
Lux	20,830	6,250	2,853	1,664	1,086

Spread (m): The spread is the width of the light when it hits the flat surface.
Coverage Area (m²): The coverage area is the size of the circular area that the light illuminates on the flat surface.
Lux: is a measurement of the light intensity from a surface at any point.